

POTIUS™ PANEL RBB SERIES

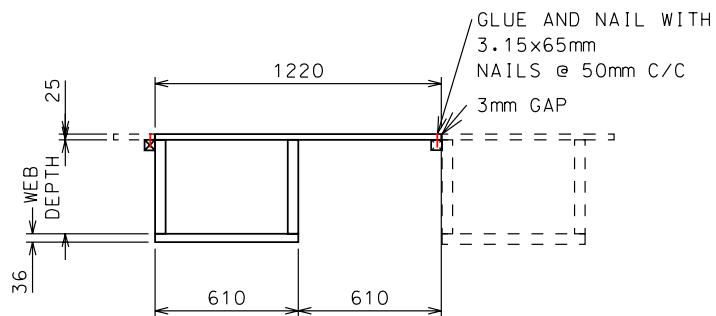
ROOF PANEL
RBB 20060 -
RBB 61060



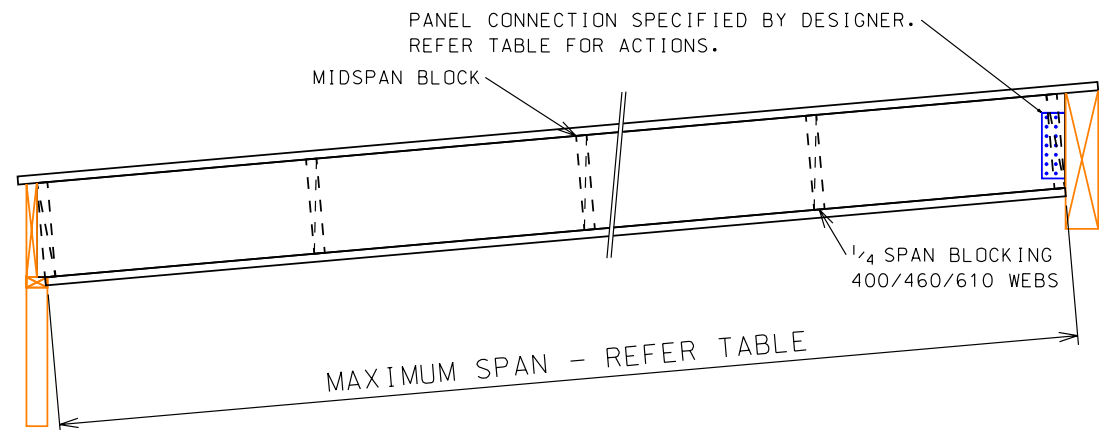
- 25mm Plywood Flooring
- 35/45mm LVL web (depth varies - refer span tables)
- 35mm LVL bottom skin
- Nail-LAM connection
- Additional fixings/blocking/lining may be required for continuity of bracing, hold downs, diaphragm actions, etc

Web Depth (mm)	200	240	300	400	460	610
Maximum Span (m)	7.9	8.7	9.7	11.3	12.2	14.3
Self Weight (kPa)	0.29	0.31	0.32	0.36	0.37	0.42
Reaction at support ULS (kN/web)	13.0	14.2	15.9	18.7	20.3	24.1

Dead Load Self weight plus 0.5kPa superimposed load
Live Load 0.25kPa
Wind Load 1.82kPa (up)
Snow Load 1.0kPa
Fire Rating n/a



TYPICAL PANEL SECTION
SCALE 1:20



PANEL LONG SECTION
SCALE 1:20