

# POTIUS™ PANEL RDT SERIES

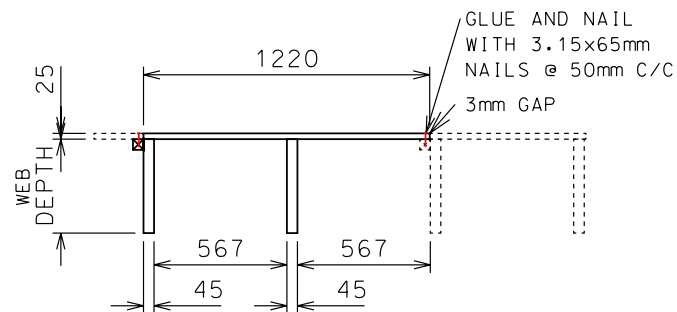
ROOF PANEL  
RDT 200 -  
RDT 610



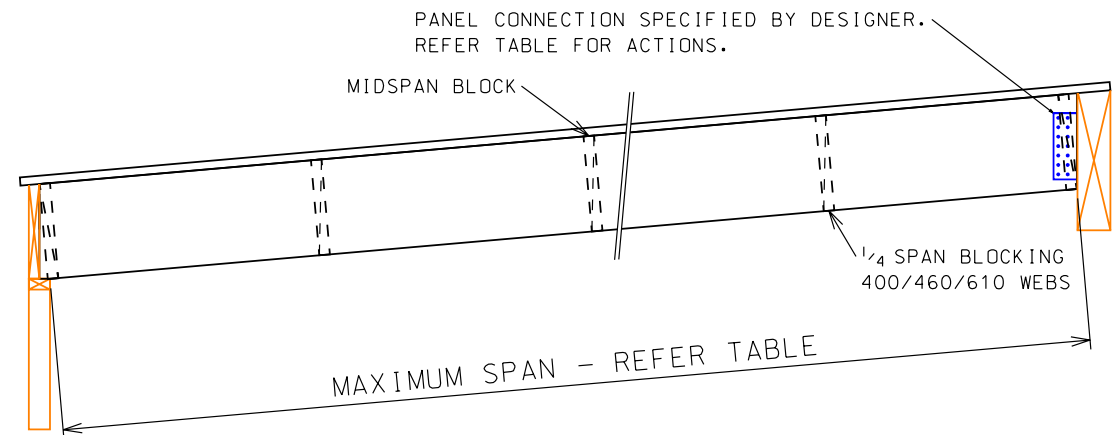
- 25mm Plywood Flooring
- 45mm LVL web (depth varies - refer span tables)
- Nail-LAM connection
- Additional fixings/blocking/lining may be required for continuity of bracing, hold downs, diaphragm actions, etc

Web Depth (mm)	200	240	300	400	460	610
Maximum Span (m)	6.1	6.9	7.9	9.6	10.5	12.8
Self Weight (kPa)	0.21	0.23	0.25	0.29	0.32	0.38
Reaction at support ULS (kN/web)	9.8	11.1	12.9	15.7	17.3	21.3

**Dead Load** Self weight plus 0.5kPa superimposed load  
**Live Load** 0.25kPa  
**Wind Load** 1.82kPa (up)  
**Snow Load** 1.0kPa  
**Fire Rating** n/a



**TYPICAL PANEL SECTION**  
SCALE 1:20



**PANEL LONG SECTION**  
SCALE 1:20